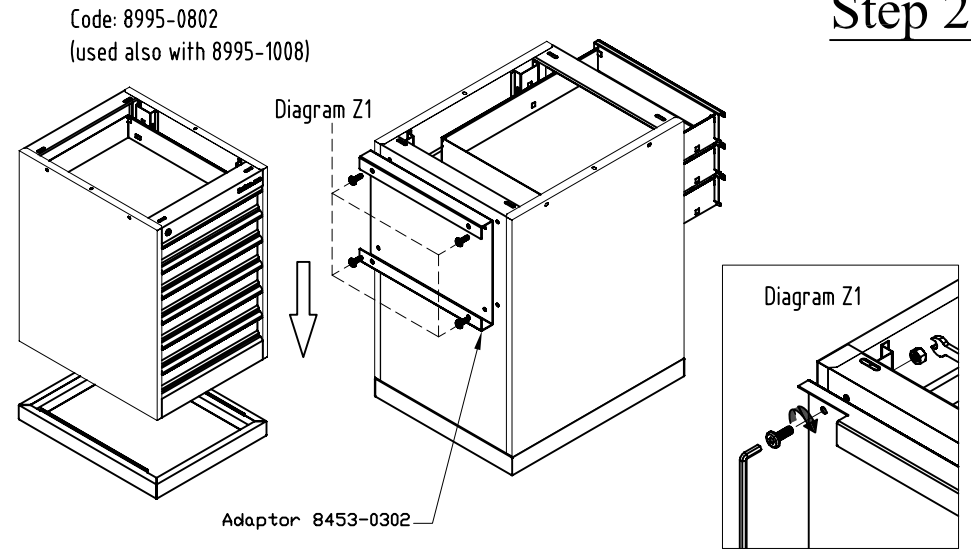
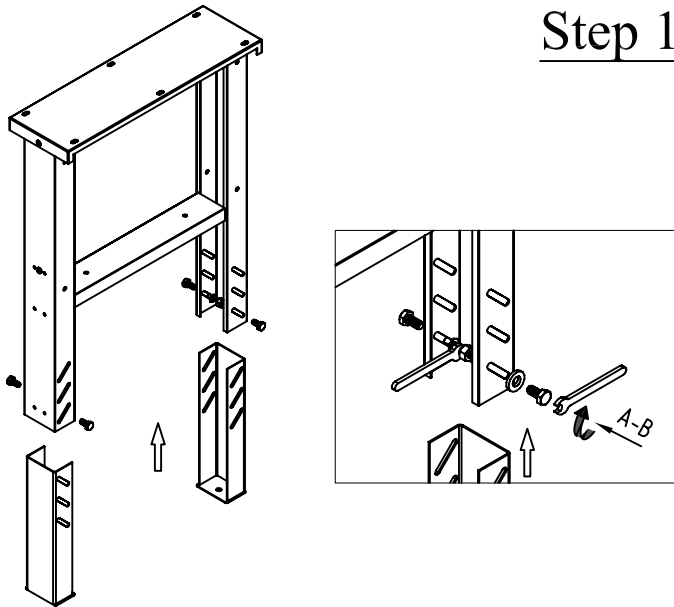
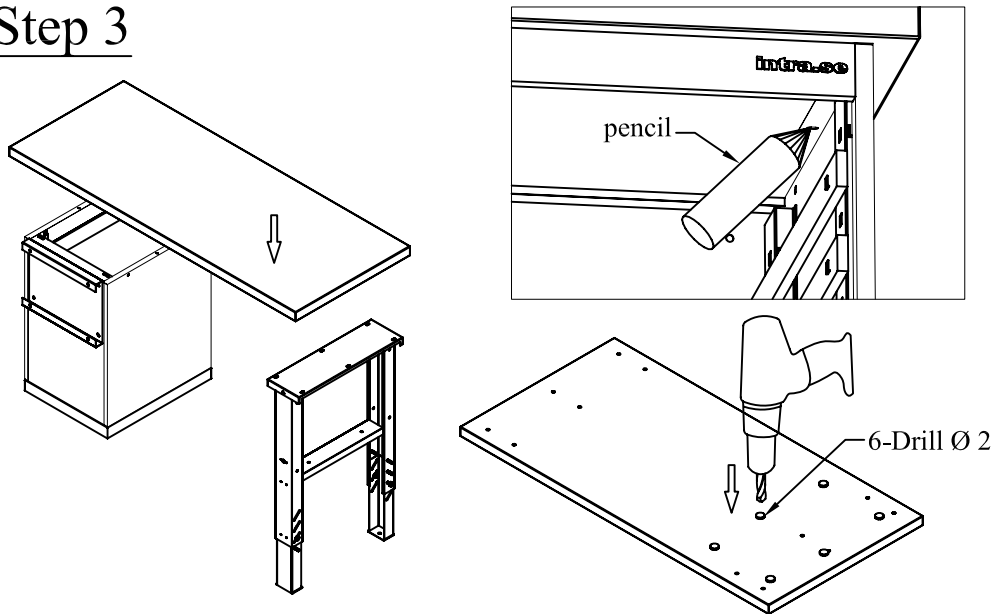


# Assembly Instruction for Drawer Unit To Worktop & Heavy Duty Frame

- A. M8x15 x 8 pcs
- B. M8 x 12 pcs
- C. Ø8.5 x 22 pcs
- D. Wrench 13 x1pcs
- E. W.S Ø6 x30 x6 pcs
- F. W. Ø6.5 x6pcs
- G. M8x25 x6pcs
- H. Key 6& key4 x2pcs
- I. M 8x15 x4pcs



### Step 3



### Step 4

